

Micrometer

The origin of Mitutoyo's trustworthy brand of small tool instruments

MeasurLink ENABLED
Data Management Software by Mitutoyo

Products equipped with the measurement data output function can be connected to the measurement data network system MeasurLink® (refer to page A-25 for details).

Outside Micrometers SERIES 406 — Non-Rotating Spindle Type

MeasurLink ENABLED
Data Management Software by Mitutoyo

- Non-rotating spindle.
- Measuring face of the spindle is carbide tipped.
- Spindle $\phi 6.35$ mm
- Equipped with Ratchet Stop for constant measuring force.



406-250-30

Metric

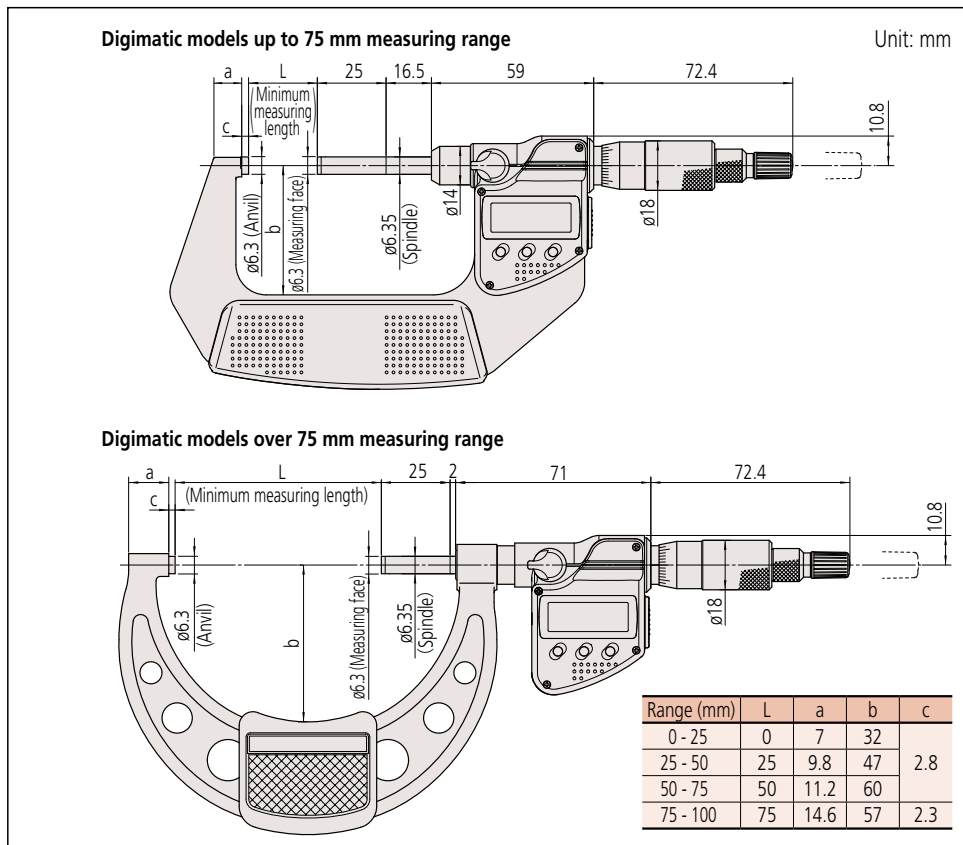
Order No.	Range (mm)	Resolution (mm)	Maximum permissible error J_{MPE} (μm)	Flatness (μm)	Parallelism (μm)
406-250-30	0 - 25	0.001	± 3	0.3	3
406-251-30	25 - 50				
406-252-30	50 - 75				
406-253-30	75 - 100				4

Note: For functional details of series 406, refer to page B-8. Please note that these models are not water-proof.

Inch/Metric

Order No.	Range (in)	Resolution	Maximum permissible error J_{MPE} (in)	Flatness (in)	Parallelism (in)
406-350-30	0 - 1	0.00005 in/ 0.001 mm	± 0.00015	0.000012	0.00012
406-351-30	1 - 2				
406-352-30	2 - 3				
406-353-30	3 - 4				0.00016

DIMENSIONS



Technical Data

- Battery: SR44 (1 pc.), **938882**, for initial operational checks (standard accessory)
- Battery life: Approx. 2.4 years under normal use
- Length standard: Electromagnetic rotary sensor
- Standard accessories: Reference bar, 1 pc. (except for measuring range 0 to 25 mm (0 to 1 in) models) Spanner (**301336**), 1 pc.

Optional Accessories

- Connecting cables
 - 1 m: **05CZA662**
 - 2 m: **05CZA663**
- USB Input Tool Direct
 - USB-ITN-B** (2 m): **06AFM380B**
- **U-WAVE-T** dedicated connection cable
 - 160 mm: **02AZD790B**
 - For foot switch: **02AZE140B**
 - Refer to page A-21 for details.



Wireless Data Output **U-WAVE™**

- **U-WAVE-TM 264-622** (IP67 type) **264-623** (Buzzer type)
- **U-WAVE-TMB** Transmitter **Mitutoyo Bluetooth® U-WAVE 264-626** (IP67 type) **264-627** (Buzzer type)
- Refer to page A-10 for details.
- Connecting unit for **U-WAVE-TM/TMB 02AZF310** (IP67/buzzer type common specification)
- Refer to pages A-10 and A-12 for details.